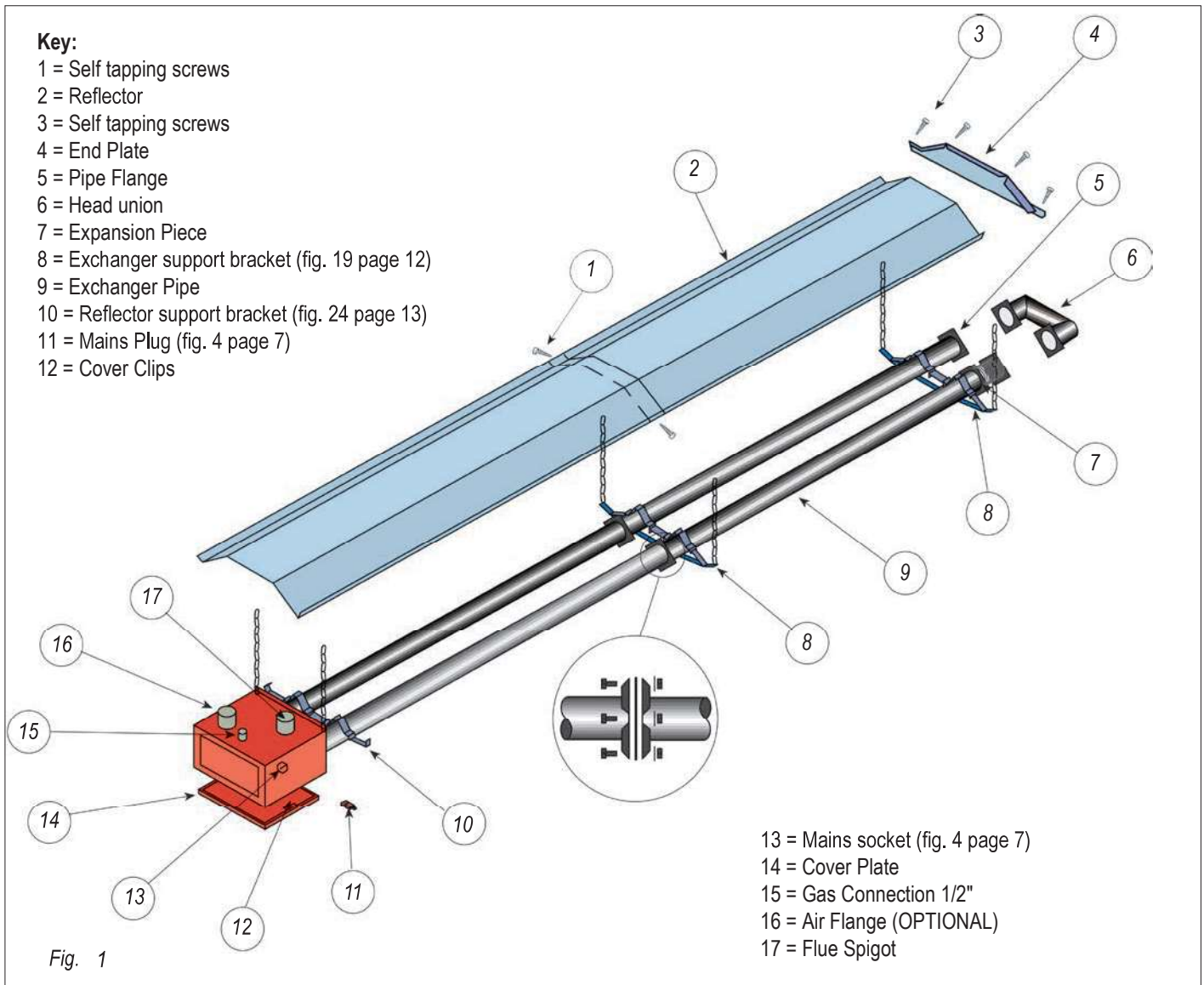


**TECHNICAL DATA**

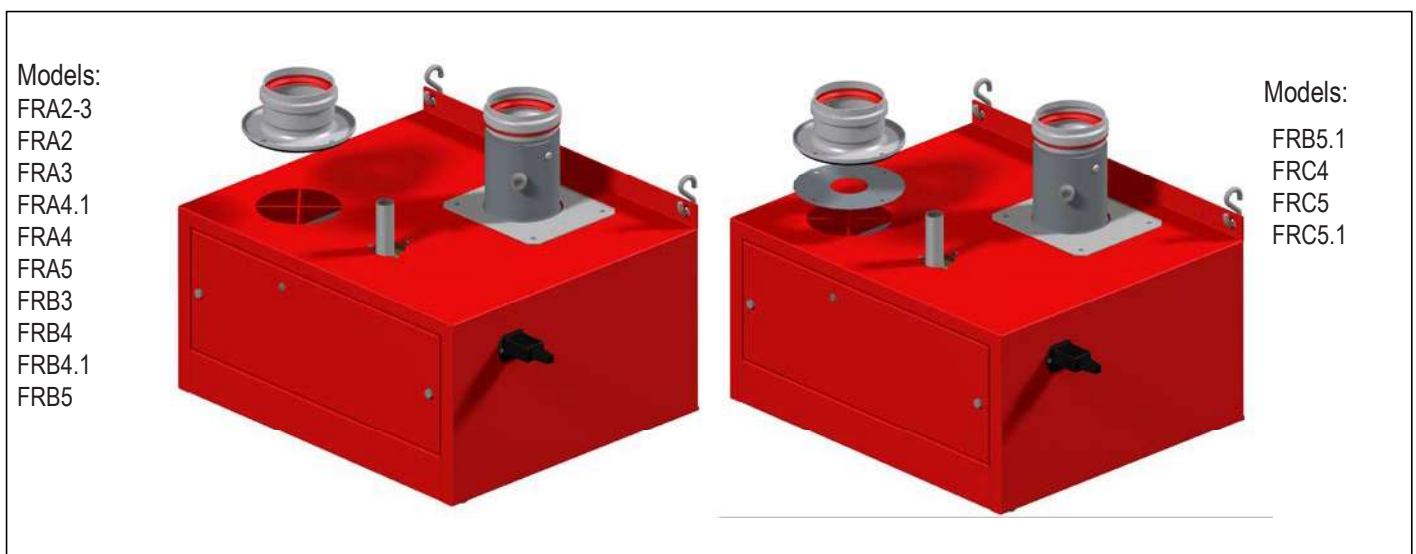
On/Off Models			FRA2-3	FRA2	FRA3	FRA4.1	FRA4	FRA5	FRB3	FRB4	FRB4.1	FRB5	FRB5.1	FRC4	FRC5	FRC5.1
CE certification number			51BM2069		51BM2068	51BM2067			51BM2068	51BM2067						
Power PCS	Max.	[kW]	15	20	30	35	40	50	30	40	45	50	55	40	50	55
Power GZ350 PCS	Max.	[kW]	15	20	30	35	40	50	30	40	45	50	#	40	50	#
Gas Consumption PCS	G20	[m³st/h]	1,43	1,90	2,85	3,33	3,81	4,76	2,85	3,81	4,28	4,76	5,5	3,81	4,76	5,5
	G25	[m³st/h]	1,66	2,21	3,24	3,87	4,43	5,54	3,24	4,43	4,98	5,54	#	4,43	5,54	#
	G25.1	[m³st/h]	1,66	2,21	3,24	3,87	4,43	5,54	3,24	4,43	4,98	5,54	#	4,43	5,54	#
	GZ350	[m³st/h]	2,20	1,47	4,10	4,15	4,41	4,41	4,10	4,41	4,41	4,41	#	4,41	4,41	#
	G30	[Kg/h]	1,09	1,45	2,18	2,54	2,91	3,63	2,18	2,91	3,27	3,63	3,99	2,91	3,63	3,99
	G31	[Kg/h]	1,07	1,42	2,14	2,50	2,85	3,57	2,14	2,85	3,21	3,57	3,93	2,85	3,57	3,93
<b>Dual Stage Burners</b>				<b>FRA2S2</b>	<b>FRA3S2</b>	<b>FRA4.1S2</b>	<b>FRA4S2</b>	<b>FRA5S2</b>		<b>FRB4S2</b>	<b>FRB4.1S2</b>	<b>FRB5S2</b>	<b>FRB5.1S2</b>		<b>FRC5S2</b>	<b>FRC5.1S2</b>
CE certification number				51BM2069	51BM2068	51BM2067				51BM2067					51BM2067	
Power PCS	Min/Max.	[kW]		10/20	20/30	30/35	30/40	40/50		30/40	30/45	40/50	40/55		40/50	40/55
Power GZ350 PCS	Min/Max.	[kW]		10/20	20/30	30/35	30/40	30/40		30/40	30/40	30/40	#		30/40	#
Gas Consumption PCS	G20	[m³st/h]		0,95+1,90	1,90+2,85	2,85+3,33	2,85+3,81	3,81+4,76		2,85+3,81	2,85+4,28	3,81+4,76	3,81+5,50		3,81+4,76	3,81+5,50
	G25	[m³st/h]		1,10+2,21	2,21+3,24	3,24+3,87	3,32+4,43	4,43+5,54		3,32+4,43	3,32+4,98	4,43+5,54	#		4,43+5,54	#
	G25.1	[m³st/h]		1,10+2,21	2,21+3,24	3,24+3,87	3,32+4,43	4,43+5,54		3,32+4,43	3,32+4,98	4,43+5,54	#		4,43+5,54	#
	GZ350	[m³st/h]		1,47+2,94	2,94+4,10	4,41+5,15	4,41+5,88	4,41+5,88		4,41+5,88	4,41+5,88	4,41+5,88	#		4,41+5,88	#
	G30	[Kg/h]		0,72+1,45	1,45+2,18	2,18+2,54	2,18+2,91	2,91+3,63		2,18+2,91	2,18+3,27	2,91+3,63	2,91+3,99		2,91+3,63	2,91+3,99
	G31	[Kg/h]		0,71+1,42	1,42+2,14	2,14+2,50	2,14+2,85	2,85+3,57		2,14+2,85	2,14+3,21	2,85+3,57	2,85+3,93		2,85+3,57	2,85+3,93
Burner type			Atmospheric													
Gas connection			1/2"													
Electricity supply		[VAC 1N]	1~ \ N \ 50 Hz 230V													
Power consumption		[Watt]	56,00													
Electrical power		[A]	1													
Burner weight		[Kg]	17													
Weight		[Kg]	53	83			118				148	157				
Venturi Tubes		[n°]	2		3	4			3	4						
Length of pipes		[m]	3	6			9				12					
Exchanger tube Ø		[mm]	89													
Flue Ø		[mm]	80													
Air intake Ø		[mm]	80													
Combustion Air		[m³/h]	30	40	60	75	80	100	60	80	90	100	110	80	100	110
Gas category			I3P; I12H3B/P; I2E(R)B; I3+; I3B/P; I2H; I12H3+; I12Esi3+; I12ELL3B/P; I12L3B/P; I12HS3B/P; I12ELs3B/P; I12E3B/P													

Tab. 1

**GENERAL ARRANGEMENT OF PANRAD RADIANT TUBES**



**INSTALLATION OF AIR-INLET FLANGE**



The burner is normally supplied without the air-inlet flange. If an intake chimney is necessary for the installation, the air-inlet flange must be provided separately. Install the flange as shown in the figure: put the flange on the intake hole and fix with rivets. For the FRC4, FRC5 and FRC5.1 models, it is also necessary to fix the calibrated diaphragm furnished with the burner as standard. Put the diaphragm between the hood and the flange.

